

FLORIDA APPROVAL #
27723.3

SL-SERIES FRP/ ALUMINUM HYBRID IN-SWING/
OUT-SWING DOOR

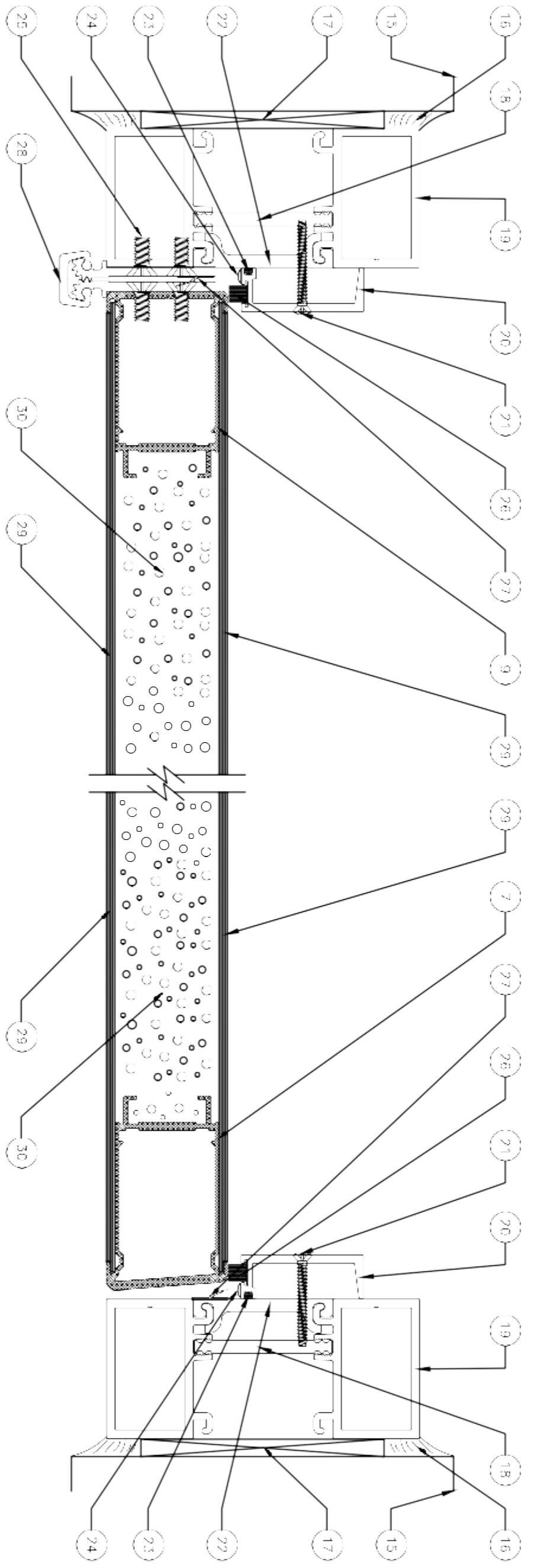


860 S. WILLIAMS STREET, P.O. BOX 6 DECATUR, MI 49045, WWW.SPECIAL-LITE.COM

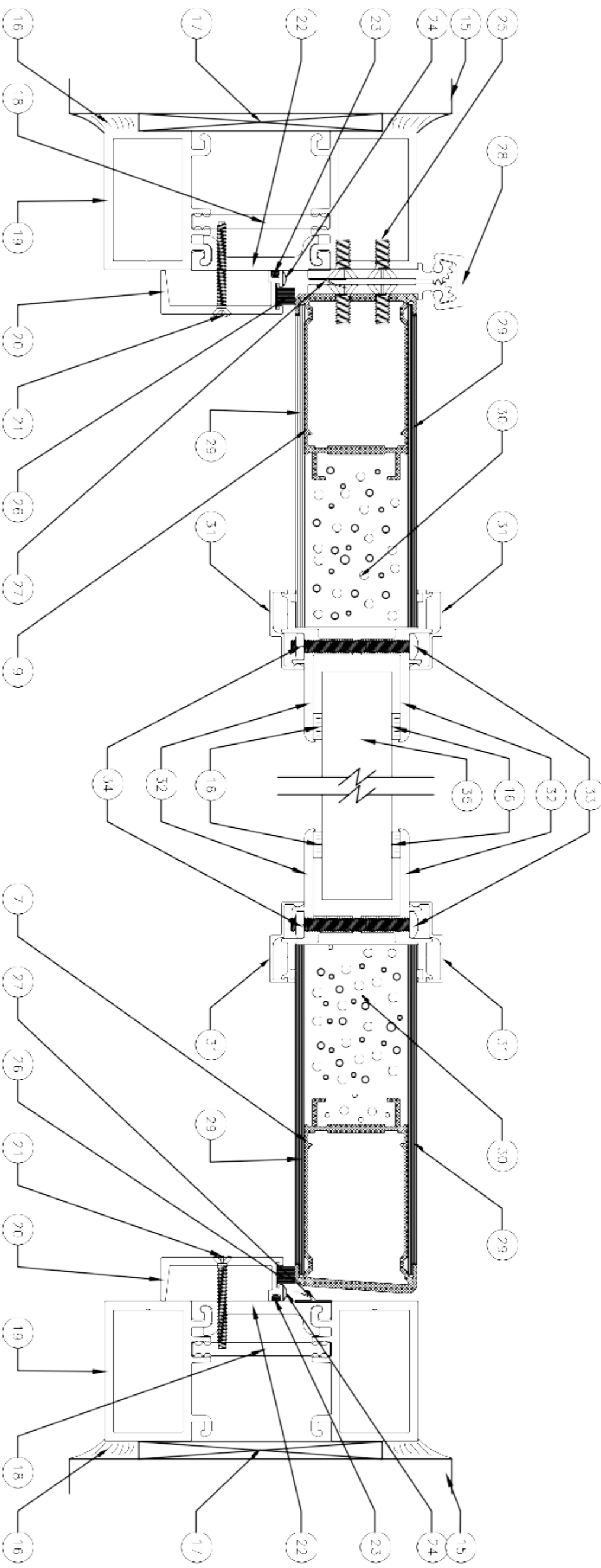
REVISION		
#	DATE	DESCRIPTION
1	10/21/2020	2020 FBC Affirmation
2	1/4/2021	2020 FBC Affirmation
3	11/15/2023	2023 FBC Affirmation

DATE	1/4/21
SCALE	1:8
DRAWN	A.E.
PROJECT	18-7808
DRAWING NO.	SL-0001
2 OF 11	

E-1



A TYP. OUTSWING PLAN VIEW WITHOUT GLAZING



B TYP. INSWING PLAN VIEW WITH GLAZING

REVISION		
#	DATE	DESCRIPTION
1	10/21/2020	2020 FBC Affirmation
2	1/4/2021	2020 FBC Affirmation
3	11/15/2023	2023 FBC Affirmation

SL-SERIES FRP/ ALUMINUM HYBRID IN-SWING/
OUT-SWING DOOR

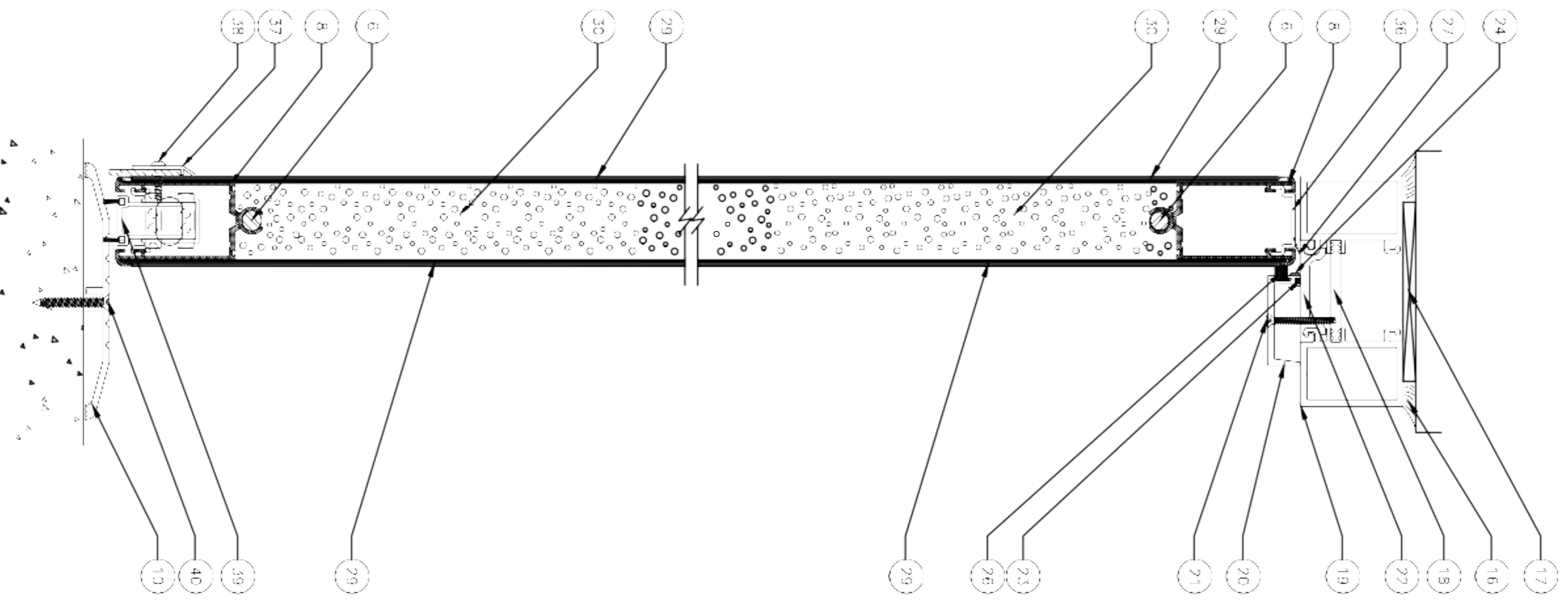


860 S. WILLIAMS STREET, P.O. BOX 6 DECATUR, MI 49045, WWW.SPECIAL-LITE.COM

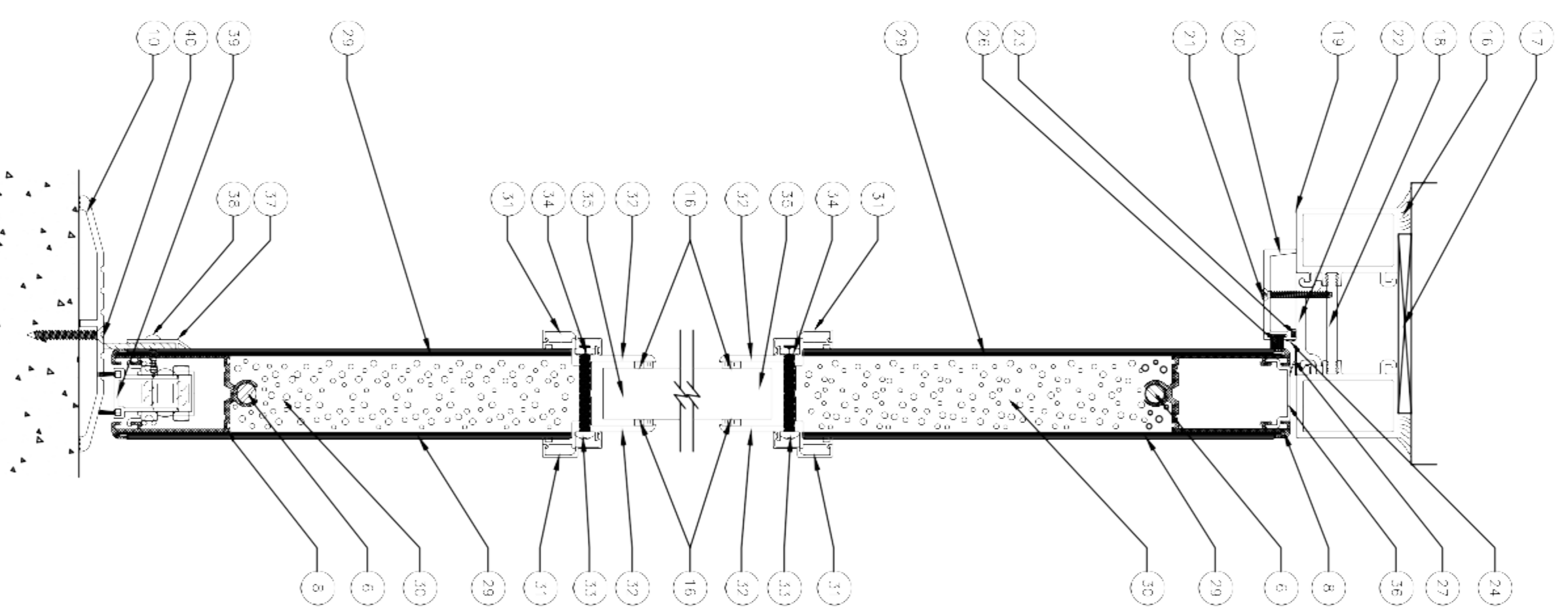
FLORIDA APPROVAL #
27723.3

E-2

DATE	1/4/21
SCALE	1:1
DRAWN	A.E.
PROJECT	18-7808
DRAWING NO.	SL-0001
	3 OF 11



C TYP. OUTSWING ELEVATION VIEW WITHOUT GLAZING
1:1.5



D TYP. INSWING ELEVATION VIEW WITH GLAZING
1:1.5

FLORIDA APPROVAL #
27723.3

E-3

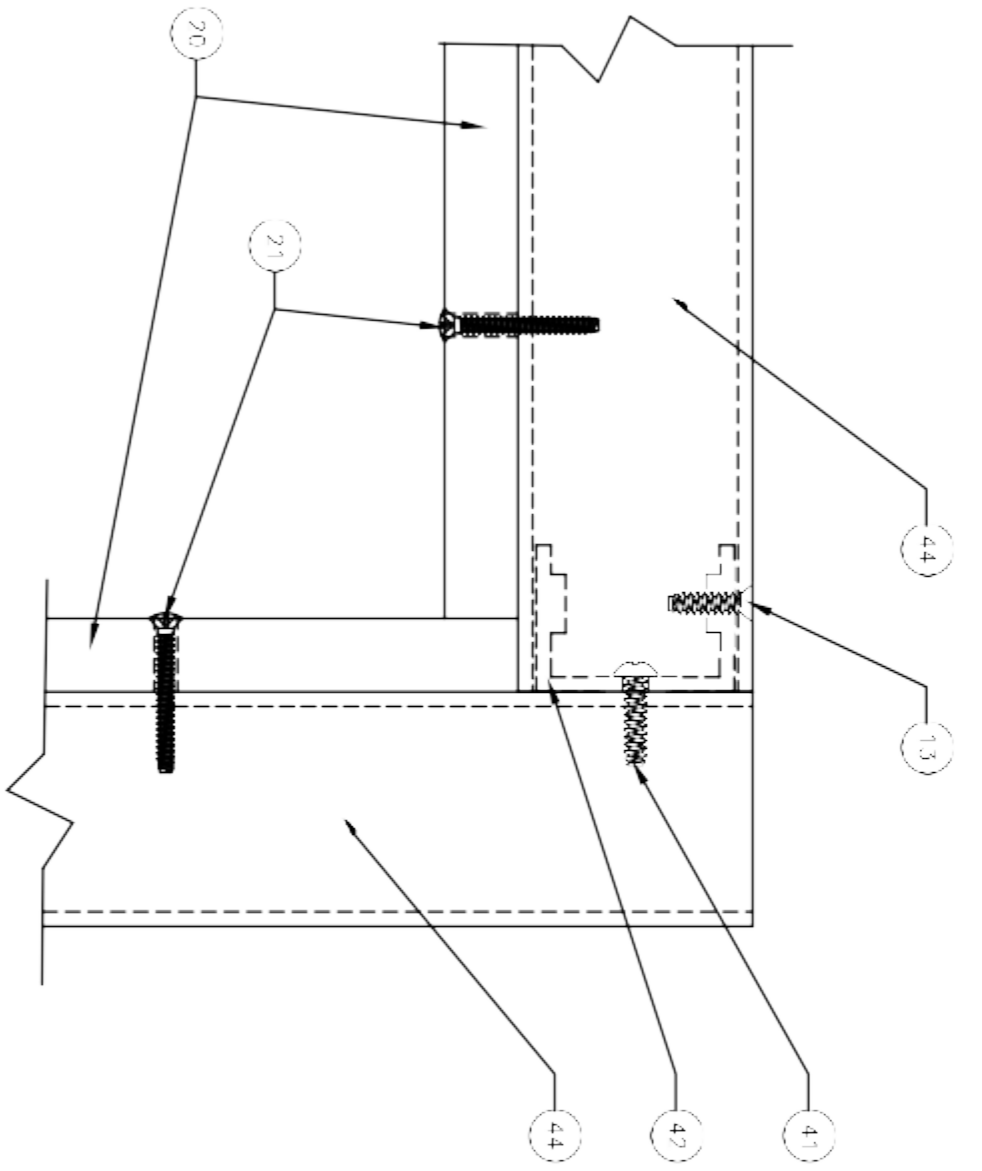
SL-SERIES FRP/ ALUMINUM HYBRID IN-SWING/
OUT-SWING DOOR



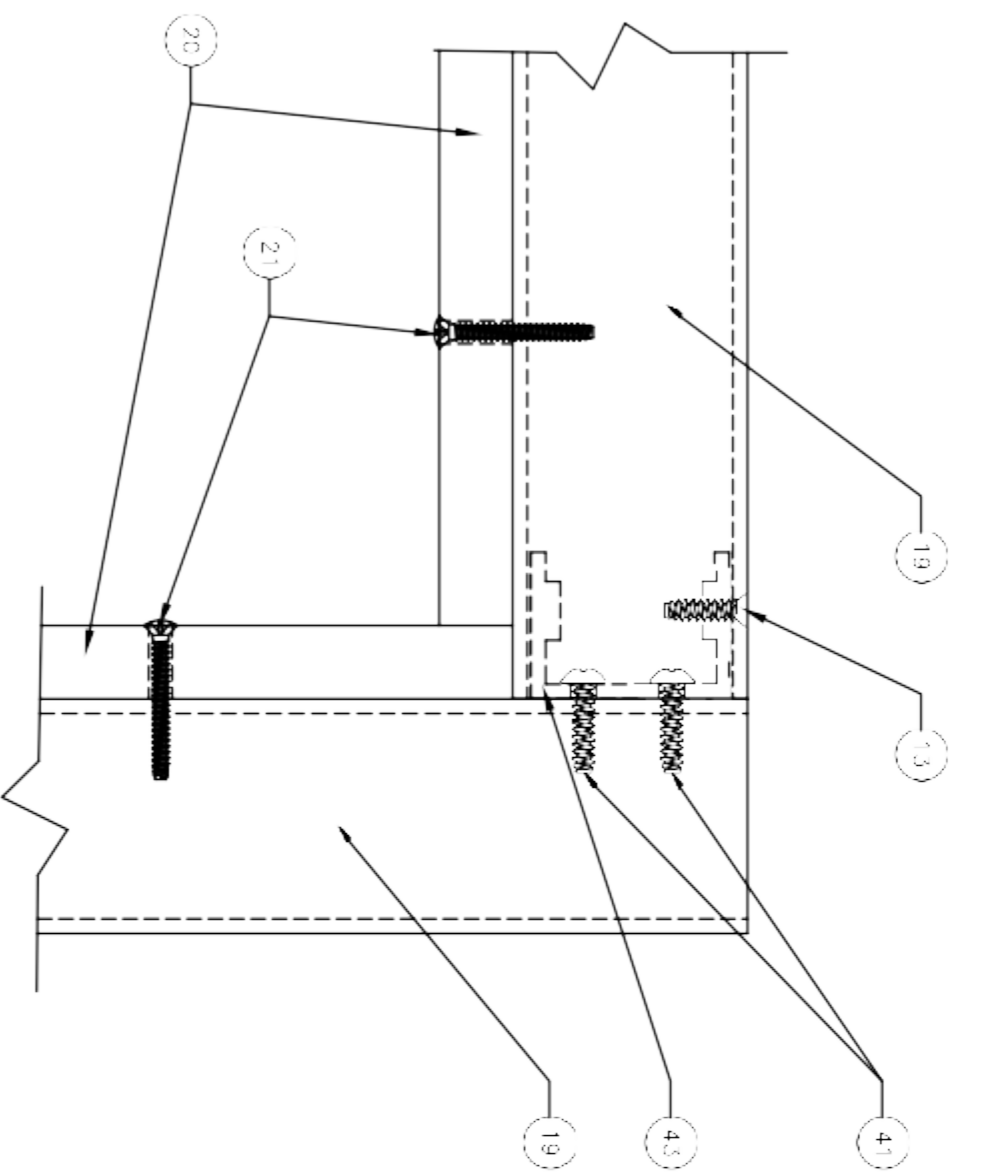
860 S. WILLIAMS STREET, P.O. BOX 6 DECATUR, MI 49045, WWW.SPECIAL-LITE.COM

REVISION		
#	DATE	DESCRIPTION
1	10/21/2020	2020 FBC Affirmation
2	1/4/2021	2020 FBC Affirmation
3	11/15/2023	2023 FBC Affirmation

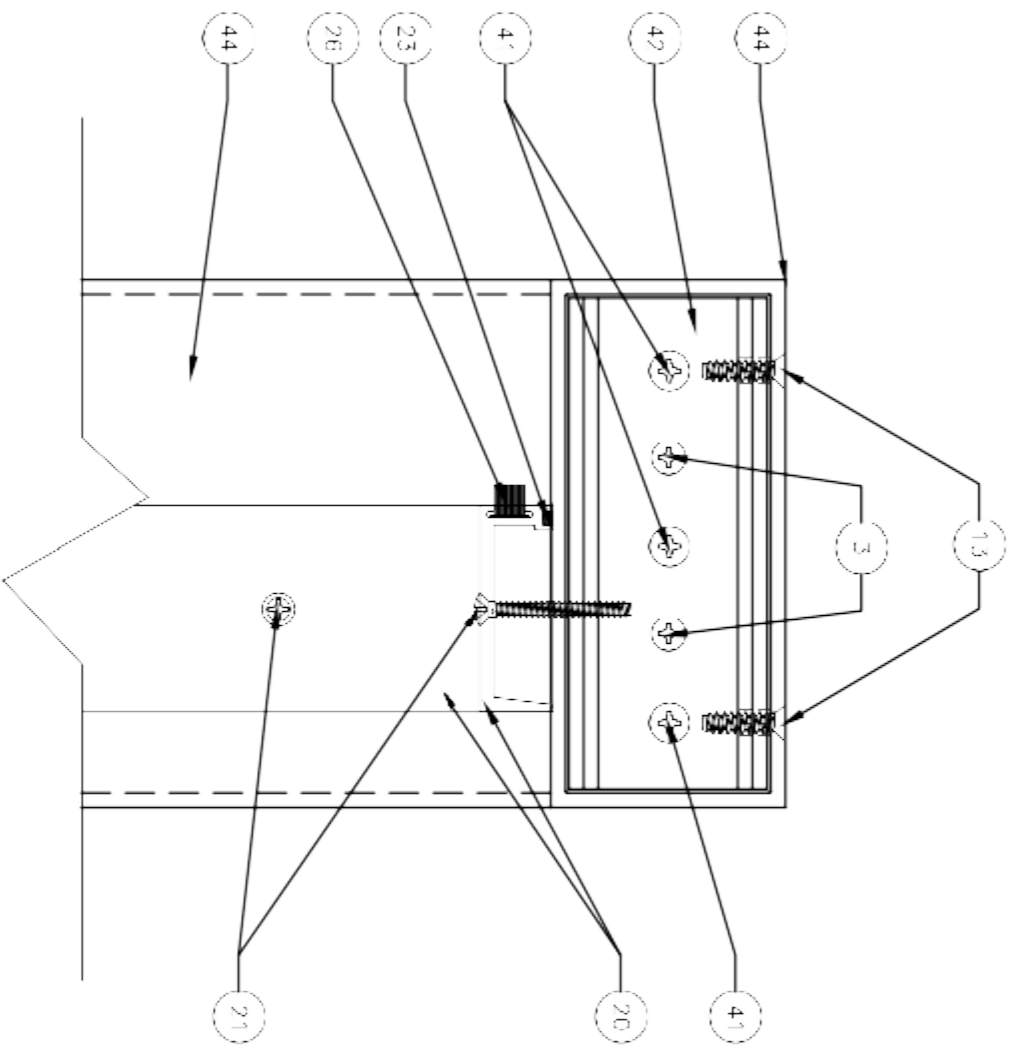
DATE	1/4/21
SCALE	1:1.5
DRAWN	A.E.
PROJECT	18-7808
DRAWING NO.	SL-0001
4 OF 11	



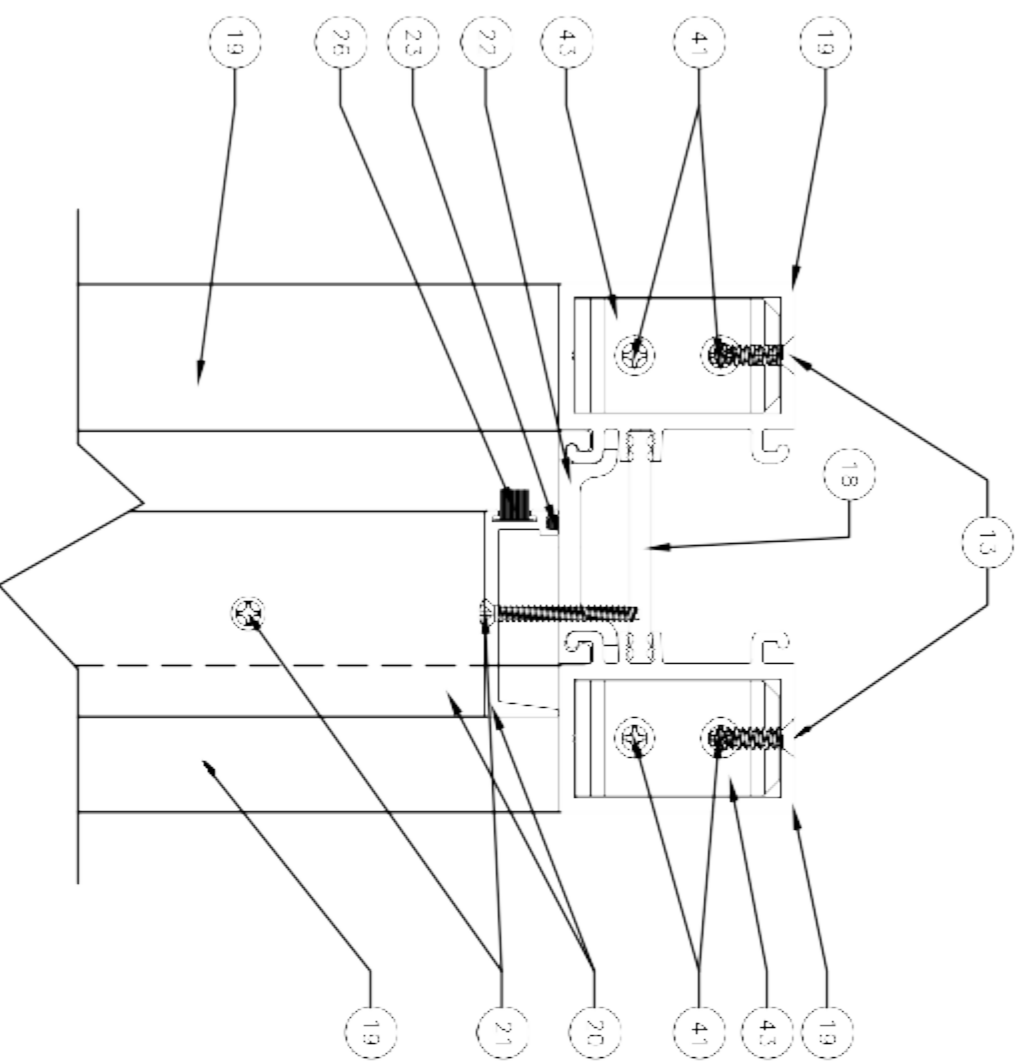
1 SL-245 CORNER JOINT



3 SL-450TB CORNER JOINT



2 SL-245 CORNER JOINT



4 SL-450TB CORNER JOINT

FLORIDA APPROVAL #
27723.3

D-1

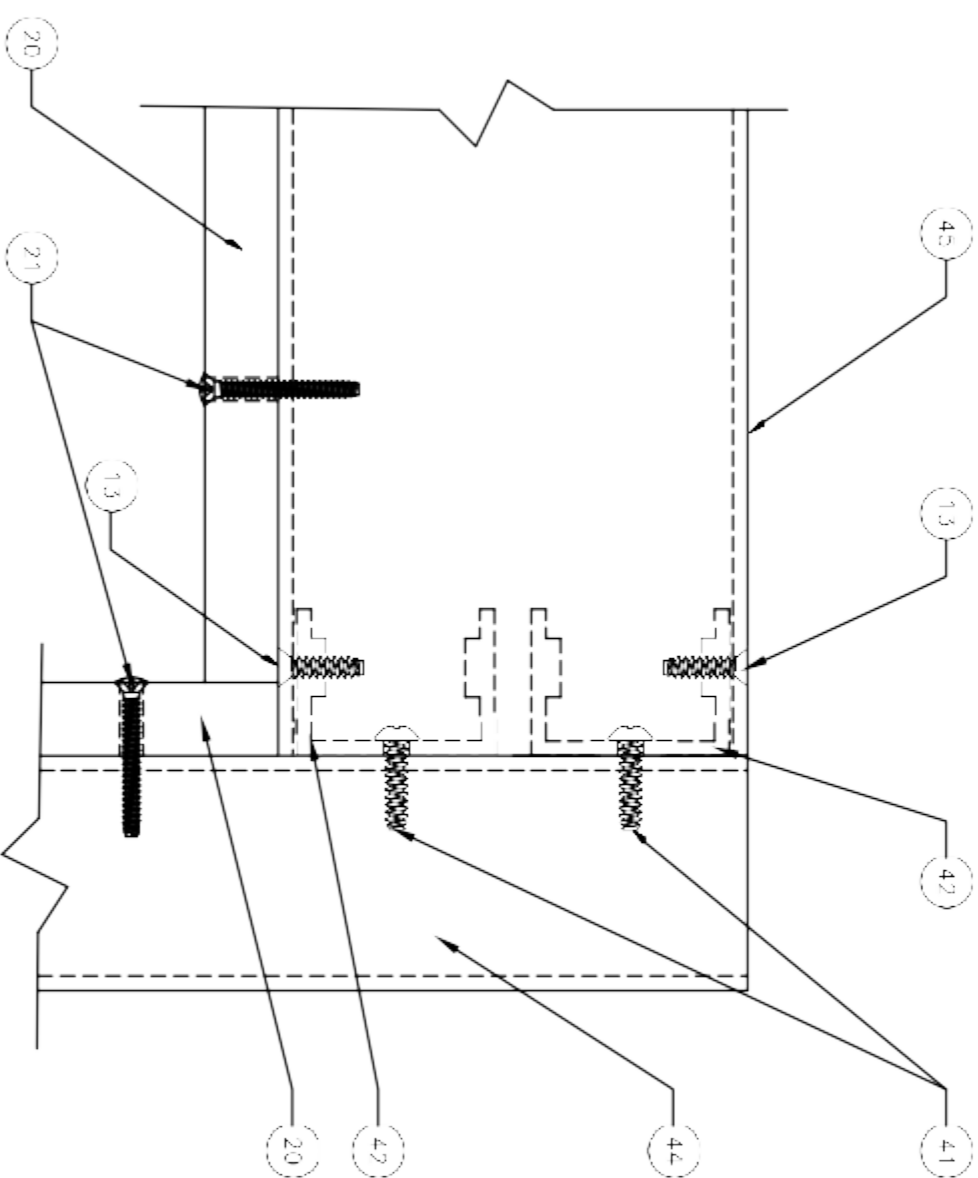
SL-SERIES FRP/ ALUMINUM HYBRID IN-SWING/
OUT-SWING DOOR



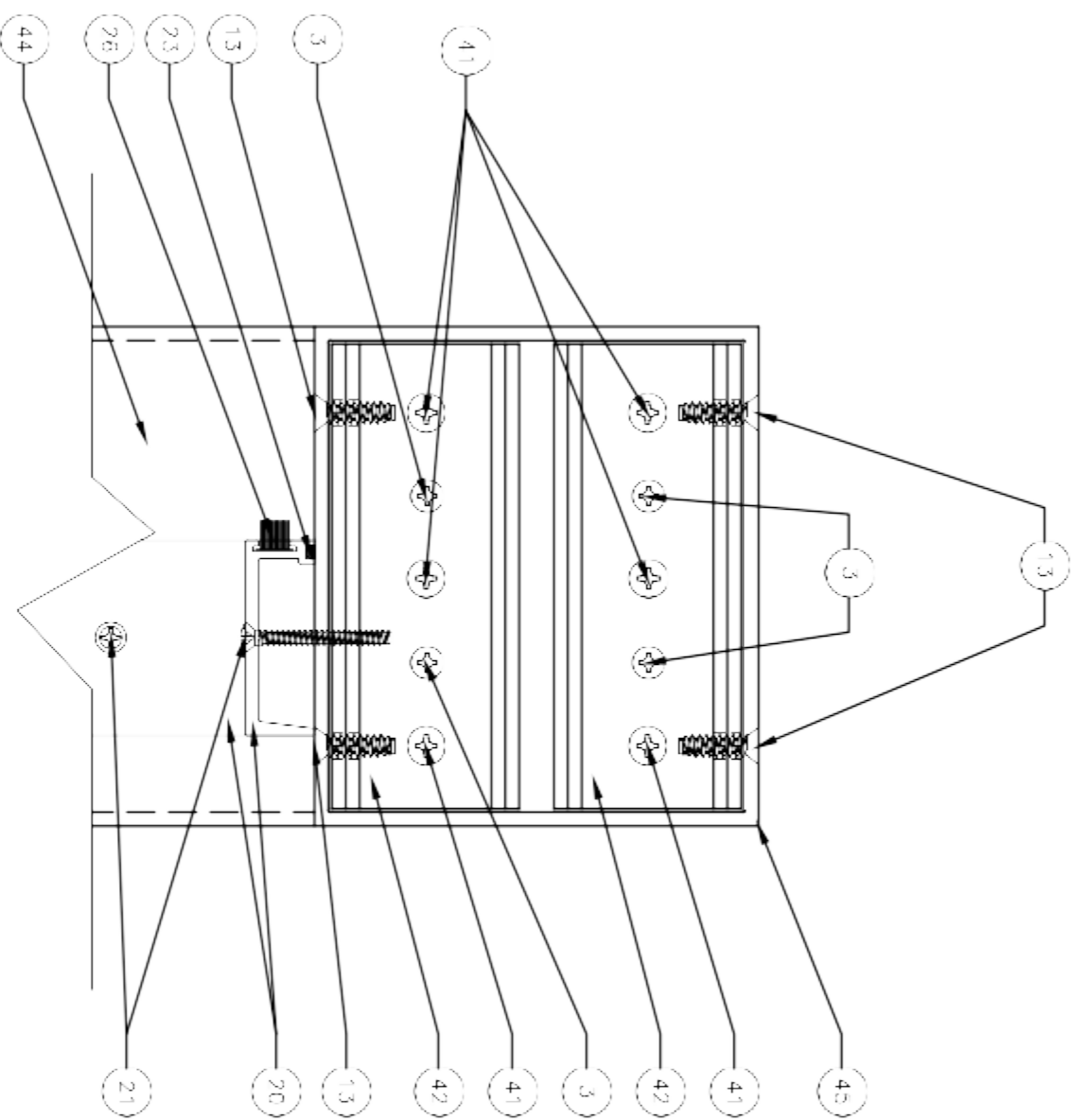
860 S. WILLIAMS STREET, P.O. BOX 6 DECATUR, MI 49045, WWW.SPECIAL-LITE.COM

REVISION		
#	DATE	DESCRIPTION
1	10/21/2020	2020 FBC Affirmation
2	1/4/2021	2020 FBC Affirmation
3	11/15/2023	2023 FBC Affirmation

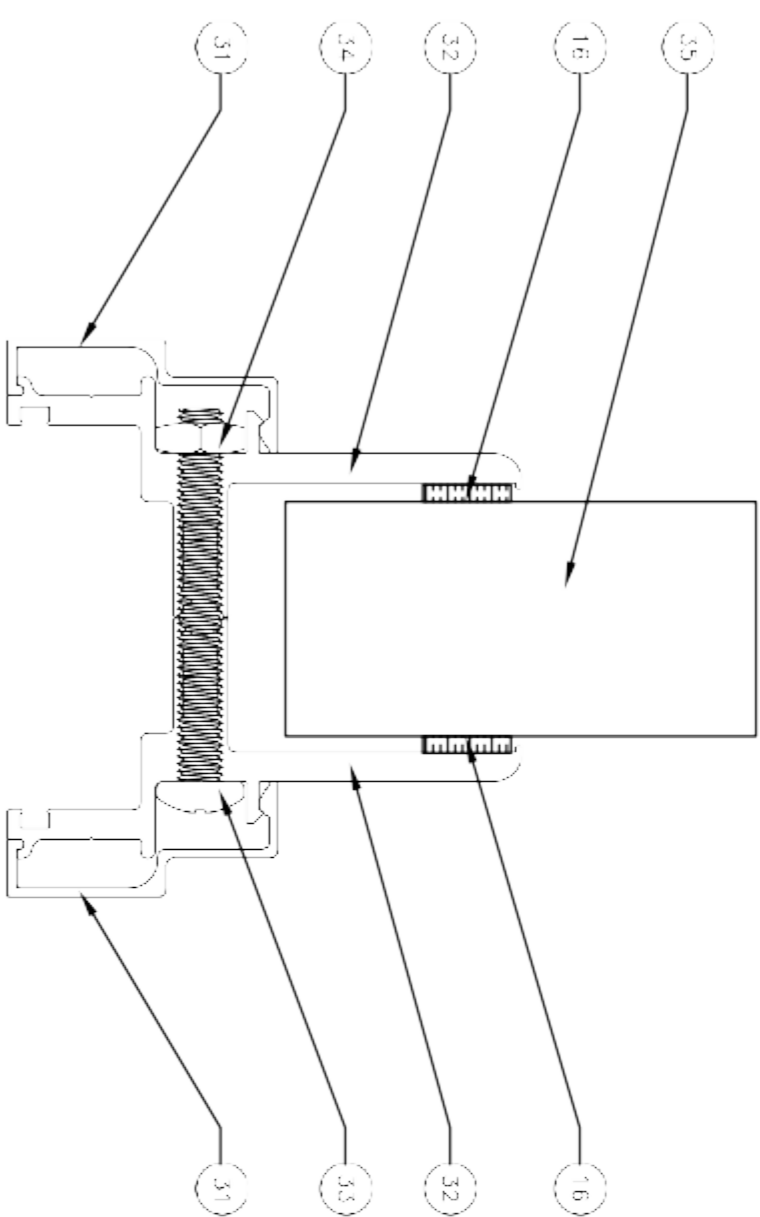
DATE	1/4/21
SCALE	1:1
DRAWN	A.E.
PROJECT	18-7808
DRAWING NO.	SL-0001
	5 OF 11



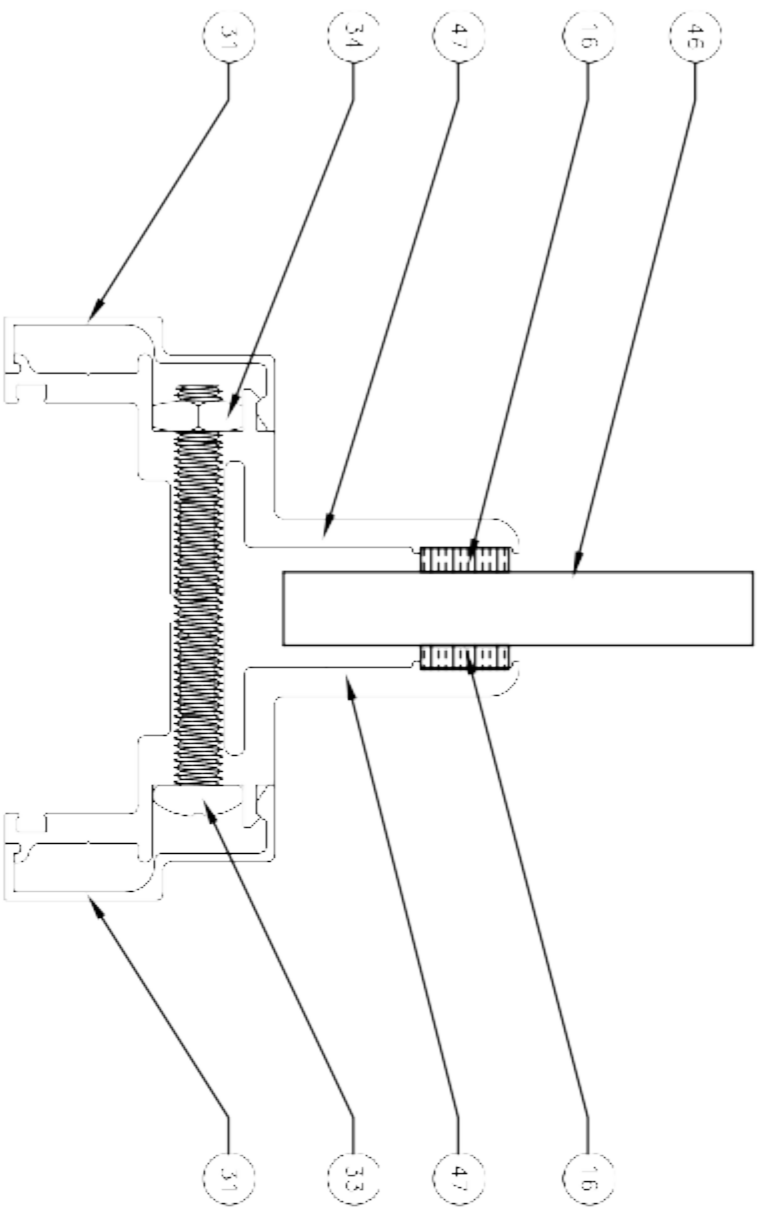
5 SL-245 W/ 4" HEAD CORNER JOINT



6 SL-245 W/ 4" HEAD CORNER JOINT



7 TYP. 1" GLAZING INSTALLATION



8 TYP. 5/16" GLAZING INSTALLATION

FLORIDA APPROVAL #
27723.3

D-2

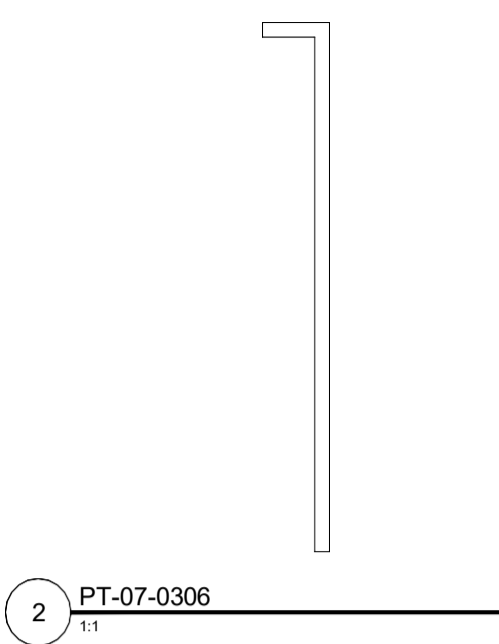
SL-SERIES FRP/ ALUMINUM HYBRID IN-SWING/
OUT-SWING DOOR



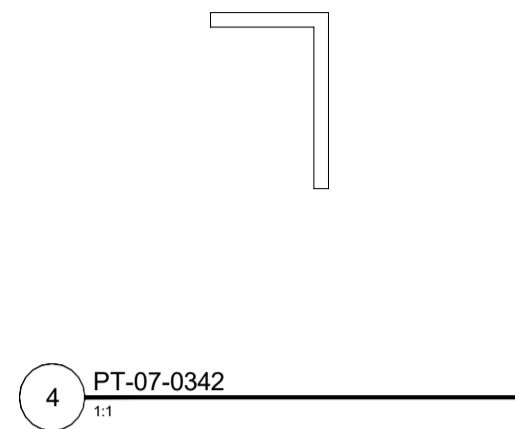
860 S. WILLIAMS STREET, P.O. BOX 6 DECATUR, MI 49045, WWW.SPECIAL-LITE.COM

REVISION		
#	DATE	DESCRIPTION
1	10/21/2020	2020 FBC Affirmation
2	1/4/2021	2020 FBC Affirmation
3	11/15/2023	2023 FBC Affirmation

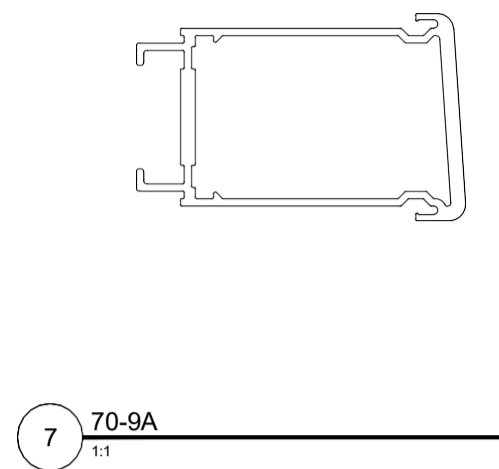
DATE	1/4/21
SCALE	AS SHOWN
DRAWN	A.E.
PROJECT	18-7808
DRAWING NO.	SL-0001
	6 OF 11



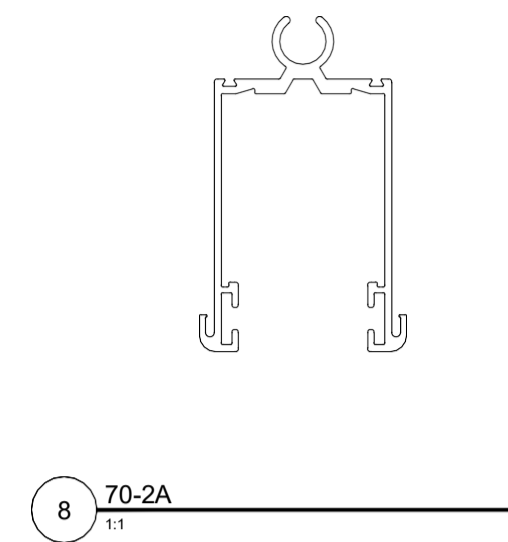
2 PT-07-0306
1:1



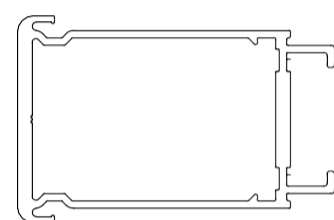
4 PT-07-0342
1:1



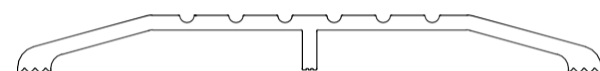
7 70-9A
1:1



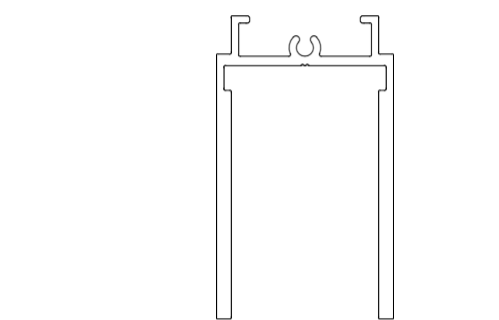
8 70-2A
1:1



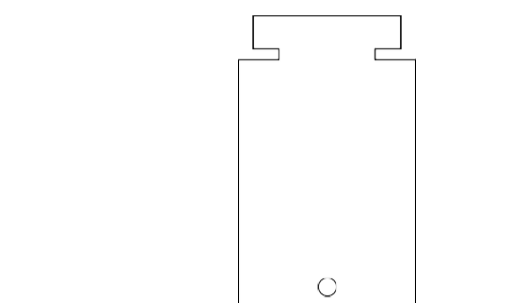
9 70-1A
1:1



10 THRS-2
1:1



11 PT-07-0317
1:1



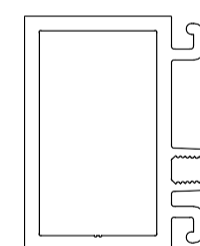
12 PT-07-0300
1:1



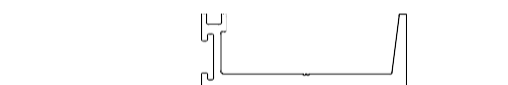
14 PT-00-0514
1:1



18 AF-800-030
1:1



19 TB-454
1:1



20 DS-33
1:1



22 AF-800-031
1:1



23 SL-V-01
4:1



24 X1153HTSINGLE
4:1

REVISION

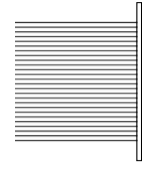
#	DATE	DESCRIPTION
1	10/21/2020	2020 FBC Affirmation
2	1/4/2021	2020 FBC Affirmation
3	11/15/2023	2023 FBC Affirmation

SL-SERIES FRP/ ALUMINUM HYBRID IN-SWING/
OUT-SWING DOOR



FLORIDA APPROVAL #:
27723.3

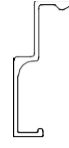
D-3	
DATE	1/4/21
SCALE	VARIABLE
DRAWN	A.E.
PROJECT	18-7808
DRAWING NO. SL-0001	
7 OF 11	



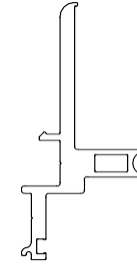
26 350360GYDPS1
4:1



27 5060B
4:1



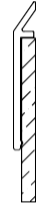
31 70-800
1:1



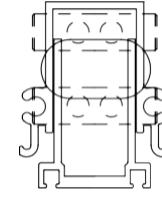
32 70-801
1:1



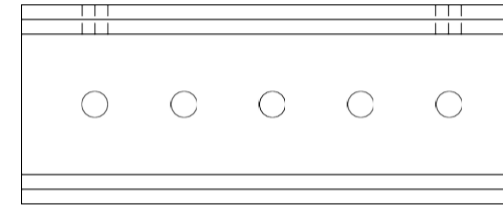
36 70-53
1:1



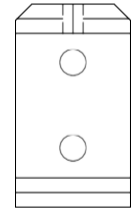
37 NGP-200NA
1:1



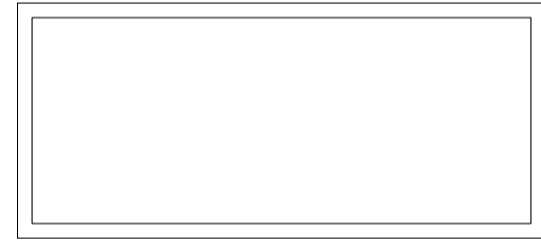
39 SL-301
1:1



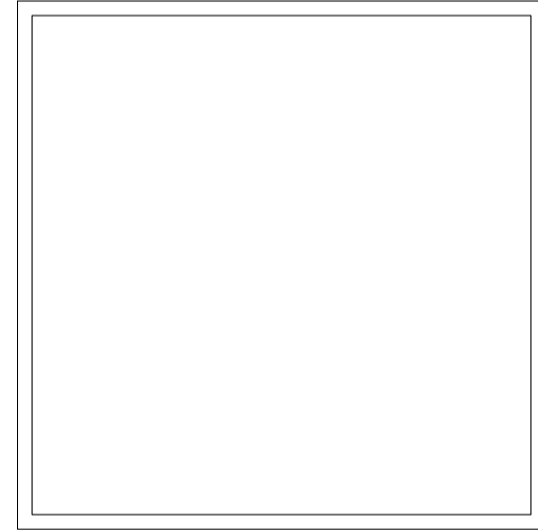
41 PT-12-0131
1:1



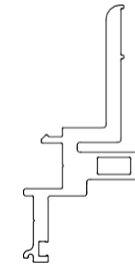
42 PT-12-2000
1:1



44 T-8
1:1



45 T-9
1:1



47 70-802
1:1

#	DATE	DESCRIPTION
1	10/21/2020	2020 FBC Affirmation
2	1/4/2021	2020 FBC Affirmation
3	11/15/2023	2023 FBC Affirmation

SL-SERIES FRP/ ALUMINUM HYBRID IN-SWING/
OUT-SWING DOOR



860 S. WILLIAMS STREET, P.O. BOX 6 DECATUR, MI 49045, WWW.SPECIAL-LITE.COM

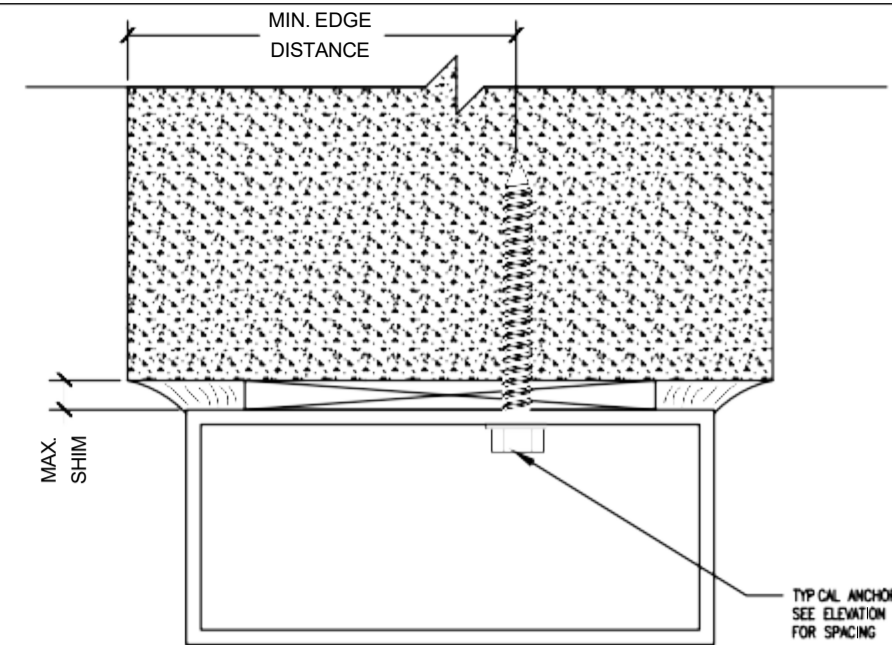
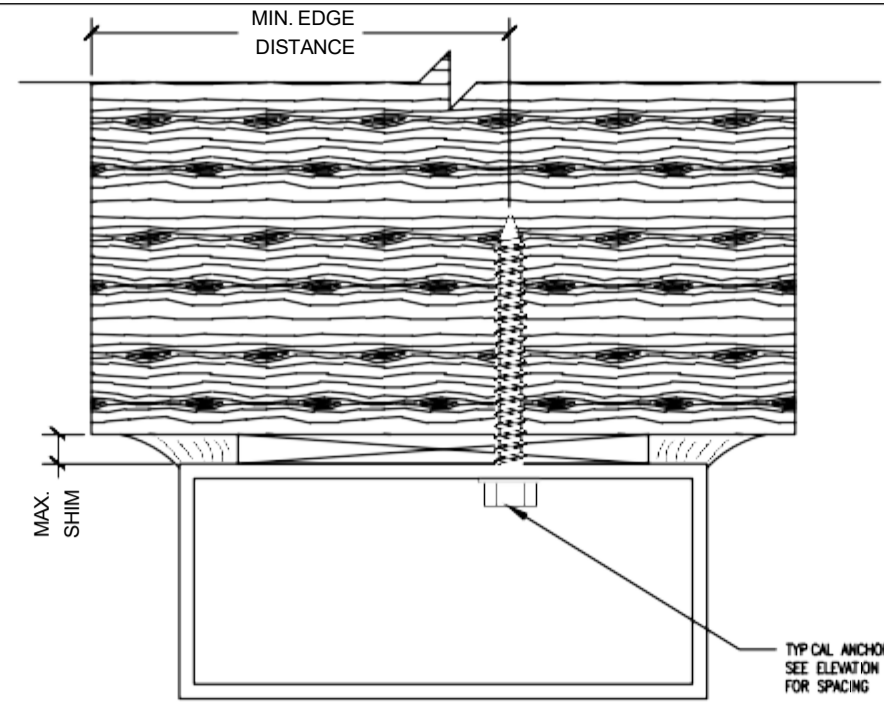
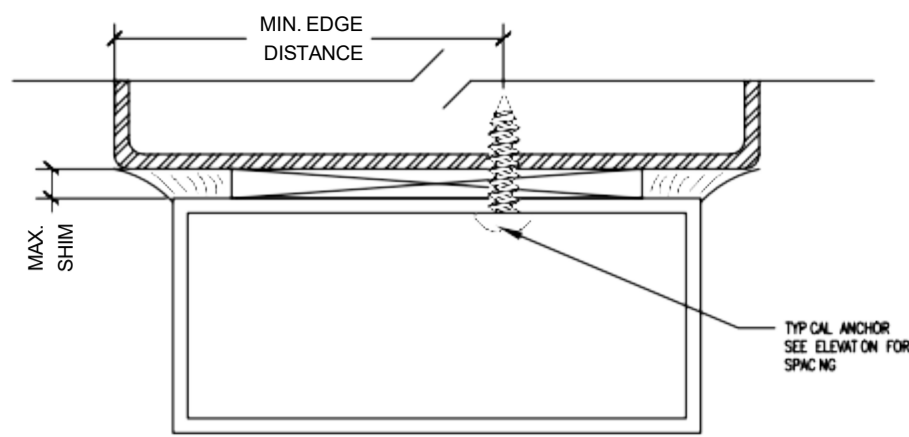
FLORIDA APPROVAL #:
27723.3

D-4

DATE	1/4/21
SCALE	VARIES
DRAWN	A.E.
PROJECT	18-7808

DRAWING NO.
SL-0001

8 OF 11



#14 SMS OR TEKS SELF DRILLING SCREW (GRADE 5)

- STEEL $\frac{1}{8}$ " MIN. THICKNESS, A36 MIN. (HEAD/JAMB)
- ALUMINUM $\frac{1}{4}$ " MIN. THICKNESS, 6063-T5 MIN. (HEAD/JAMB)
- MIN. EDGE DISTANCE $\frac{3}{4}$ "
- $\frac{1}{2}$ " MAX SHIM

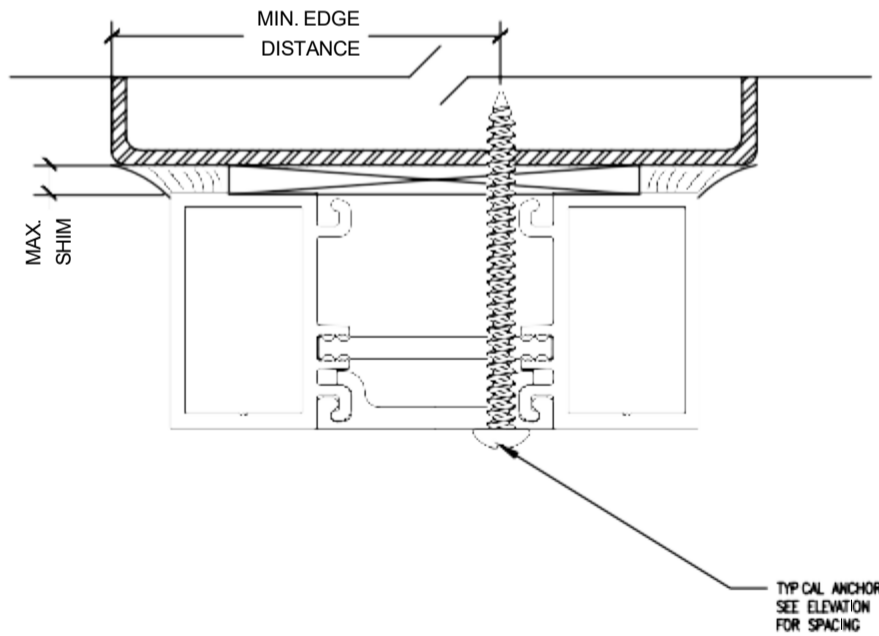
1" DIA. ELCO ULTRACON (Fu = 177 KSI, Fy = 155 KSI)

- CONCRETE: $f_c = 3$ KSI MIN. (HEAD/SILL OR JAMB)
- MASONRY: $f_c = 2$ KSI MIN. (JAMB ONLY)
- WOOD: SG = 0.55 MIN. (HEAD/JAMB)
- MIN. EMBEDMENT 1-1/2"
- MIN. EDGE DISTANCE 1" WOOD, 2-1/2" CONCRETE OR MASONRY
- $\frac{1}{2}$ " MAX SHIM

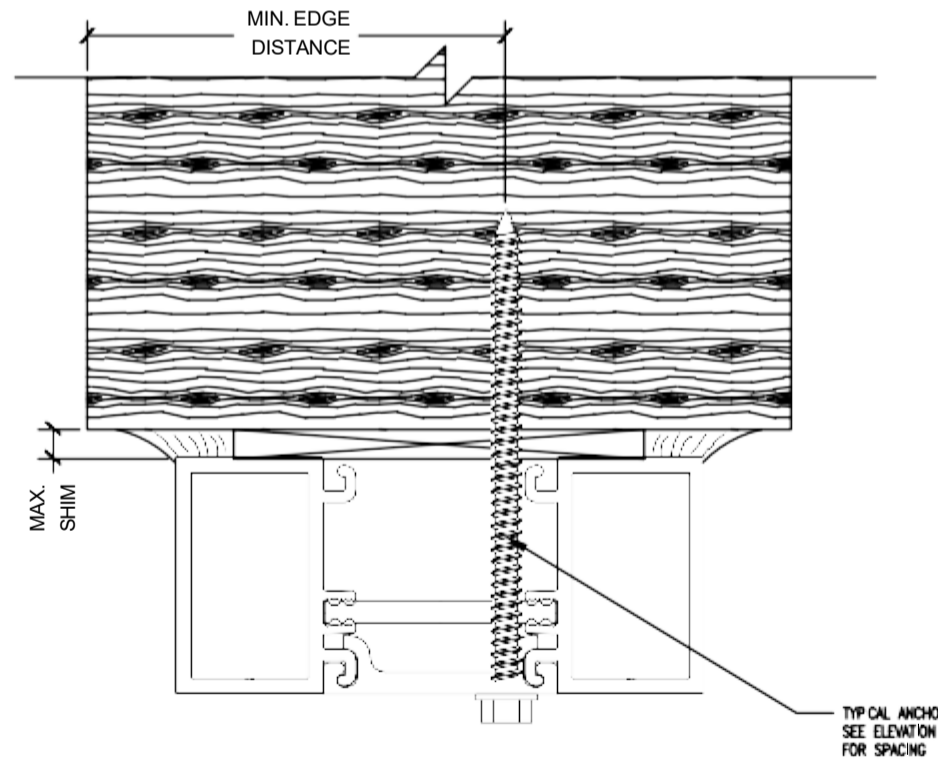
1" DIA. ITW TAPCON (Fu = 120 KSI, Fy = 92 KSI)

- CONCRETE: $f_c = 3$ KSI MIN. (HEAD/SILL OR JAMB)
- MASONRY: $f_c = 2$ KSI MIN. (JAMB ONLY)
- WOOD: SG = 0.55 MIN. (HEAD/JAMB)
- MIN. EMBEDMENT 1-1/2"
- MIN. EDGE DISTANCE 1" WOOD, 2-1/2" CONCRETE OR MASONRY
- $\frac{1}{2}$ " MAX SHIM

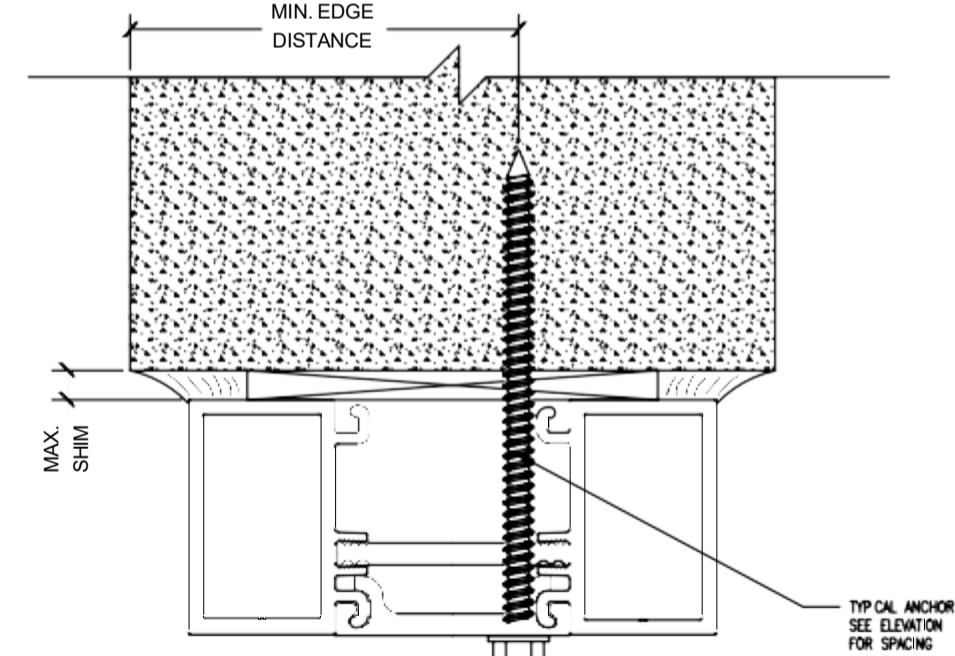
K 1:1 #14 SMS OR TEKS SELF DRILLING SCREW (GRADE 5)



K 1:1 1/4" DIA. ELCO ULTRACON (Fu = 177 KSI, Fy = 155 KSI)



K 1:1 1/4" DIA. TAPCON (Fu = 120 KSI, Fy = 92 KSI)



#14 SMS OR TEKS SELF DRILLING SCREW (GRADE 5)

- STEEL $\frac{1}{8}$ " MIN. THICKNESS, A36 MIN. (HEAD/JAMB)
- ALUMINUM $\frac{1}{4}$ " MIN. THICKNESS, 6063-T5 MIN. (HEAD/JAMB)
- MIN. EDGE DISTANCE $\frac{3}{4}$ "
- $\frac{1}{2}$ " MAX SHIM

1" DIA. ELCO ULTRACON (Fu = 177 KSI, Fy = 155 KSI)

- CONCRETE: $f_c = 3$ KSI MIN. (HEAD/SILL OR JAMB)
- MASONRY: $f_c = 2$ KSI MIN. (JAMB ONLY)
- WOOD: SG = 0.55 MIN. (HEAD/JAMB)
- MIN. EMBEDMENT 1-1/2"
- MIN. EDGE DISTANCE 1" WOOD, 2-1/2" CONCRETE OR MASONRY
- $\frac{1}{2}$ " MAX SHIM

1" DIA. ITW TAPCON (Fu = 120 KSI, Fy = 92 KSI)

- CONCRETE: $f_c = 3$ KSI MIN. (HEAD/SILL OR JAMB)
- MASONRY: $f_c = 2$ KSI MIN. (JAMB ONLY)
- WOOD: SG = 0.55 MIN. (HEAD/JAMB)
- MIN. EMBEDMENT 1-1/2"
- MIN. EDGE DISTANCE 1" WOOD, 2-1/2" CONCRETE OR MASONRY
- $\frac{1}{2}$ " MAX SHIM

K 1:1 #14 SMS OR TEKS SELF DRILLING SCREW (GRADE 5)

K 1:1 1/4" DIA. ELCO ULTRACON (Fu = 177 KSI, Fy = 155 KSI)

K 1:1 1/4" DIA. TAPCON (Fu = 120 KSI, Fy = 92 KSI)

#	DATE	DESCRIPTION
1	10/21/2020	2020 FBC Affirmation
2	1/4/2021	2020 FBC Affirmation
3	11/15/2023	2023 FBC Affirmation

SL-SERIES FRP/ ALUMINUM HYBRID IN-SWING/
OUT-SWING DOOR



860 S. WILLIAMS STREET, P. O. BOX 6 DECATUR, MI 49045, WWW.SPECIAL-LITE.COM

FLORIDA APPROVAL #:
27723.3

A-1	
DATE	1/4/21
SCALE	1:1
DRAWN	A.E.
PROJECT	18-7808
DRAWING NO. SL-0001	
9 OF 11	

BILL OF MATERIALS

ITEM	PART #	MATERIAL	QTY.	DESCRIPTION	MANUFACTURER
1	660102KL10-U26H	N/A	1	ORACODE 660 AMERICAN STANDARD 1" MORTISE LOCK	DORMA KABA
2	PT-07-0306	6063-T5	2	PA. CLOSER REINFORCEMENT	SPECIAL-LITE
3	SC-12	410SS	AS REQUIRED	8-15 X 5/8" PHSMS	SPECIAL-LITE
4	PT-07-0342	6063-T5	4	FLUSH DOOR TIE ROD CLIP	SPECIAL-LITE
5	SC-103	STEEL	4	3/8"-16 HEX SERRATED FLANGE NUT 3/4" O.D.	SPECIAL-LITE
6	N/A	STEEL	2	3/8"-16 STEEL TIE ROD	SPECIAL-LITE
7	70-9A	6063-T5	1	BEVEL STILE	SPECIAL-LITE
8	70-2A	6063-T6	2	TOP & BOTTOM RAIL	SPECIAL-LITE
9	70-1A	6063-T6	1	SQUARE EDGE STILE	SPECIAL-LITE
10	THRS-2	6063-T5	1	FLAT THRESHOLD 1/2" X 5"	SPECIAL-LITE
11	PT-07-0317	6063-T5	1	LOCK REINFORCEMENT	SPECIAL-LITE
12	PT-07-0300	6061	2	RETAINER CLIP AND PLUG FOR LOCK REINFORCEMENT	SPECIAL-LITE
13	SC-23	410SS	AS REQUIRED	10-16 X 3/4" PHILLIPS U/C FLAT HEAD THREAD FORMING SCREW	SPECIAL-LITE
16	PT-00-0514	6061	2	KNOB AND MORTISE LOCK REINFORCING CLIP FOR FLUSH, MONUMENTAL DOORS & FRAMES	SPECIAL-LITE
15	N/A	N/A	N/A	EXISTING BUILDING	BY OTHERS
16	DOW005	SILICONE	AS REQUIRED	DOW CORNING STRUCTURAL SILICONE CAULK	DOW CORNING
17	N/A	WOOD	AS REQUIRED	WOOD SHIMS	BY OTHERS
18	AF-800-030	FIBERGLASS	AS REQUIRED	THERMAL BREAK	SPECIAL-LITE
19	TB-454	6063-T5	AS REQUIRED	TBF BASE 0.125"	SPECIAL-LITE
20	DS-33	6063-T5	AS REQUIRED	DOOR STOP W/ INTEGRAL SEAL 5/8" X 1-3/4"	SPECIAL-LITE
21	SC-17	410SS	AS REQUIRED	8-18 X 1-1/4" PHILLIPS #6 TRIM OVAL HEAD THREAD FORMING SCREW	SPECIAL-LITE
22	AF-800-031	FIBERGLASS	AS REQUIRED	POCKET FILLER	SPECIAL-LITE
23	SL-V-01	EPDM	AS REQUIRED	0.132" DIAMETER CORD EPDM FIRM SEAL BEAD W/SLIP COATING	TOTAL PLASTICS
24	X1153HTSINGLE	EPDM	AS REQUIRED	D-SHAPED EPDM SPONGE RUBBER SEAL	TRIM-LOK
25	SC-26	410SS	AS REQUIRED	12-24 X 1/2" PHILLIPS U/C FHMS	SPECIAL-LITE
26	350360GYDPS1	PILE	AS REQUIRED	WEATHER STRIPING PILE	AMESBURY GROUP
27	5060B	SILICONE	AS REQUIRED	POSITIVE PRESSURE SILICONE FIN SMOKE SEAL	NGP
28	SL-11HD	ALUMINUM	1	SELECT PRODUCTS CONTINUOUS HINGE	SELECT PRODUCTS
29	N/A	VARIES.	AS REQUIRED	DOOR FACE SHEET SEE PAGE 1 FOR OPTIONS	SPECIAL-LITE
30	N/A	POLYURETHANE	AS REQUIRED	POLYURETHANE FOAM	SPECIAL-LITE
31	70-800	6063-T5	AS REQUIRED	SECURELITE SNAP	SPECIAL-LITE
32	70-801	6063-T5	AS REQUIRED	SECURELITE 1" GLASS KIT W/ 1" BITE	SPECIAL-LITE
33	N/A	STEEL	AS REQUIRED	10-32 X 1-3/4" PHMS	SPECIAL-LITE
34	N/A	STEEL	AS REQUIRED	10-32 HEX NUT	SPECIAL-LITE
35	N/A	N/A	1	1/8" CLEAR X 0.075" STORMGLASS INTERLAYER X 1/8" PPG SOLARBAN 60 ON CLEAR LOW-E #4 X 13/32" AIR SPACE X 1/4" CLEAR	BUILDING ENVELOPE
36	70-53	6063-T5	1	COVER CAP	SPECIAL-LITE
37	200NA	VARIES	1	ANODIZED ALUMINUM NEOPRENE DOOR SWEEP	NGP
38	N/A	SS	AS REQUIRED	#6 X 3/4" PHSMS	NGP
39	SL-301	VARIES	1	ADJUSTABLE BOTTOM BRUSH	SPECIAL-LITE

REVISION	#	DATE	DESCRIPTION
	1	10/21/2020	2020 FBC Affirmation
	2	1/4/2021	2020 FBC Affirmation
	3	11/15/2023	2023 FBC Affirmation

SL-SERIES FRP/ALUMINUM HYBRID IN-SWING/OUT-SWING DOOR

ENGINEERED ARCHITECTURAL SOLUTIONS

860 S. WILLIAMS STREET, P.O. BOX 6 DECATUR, MI 49045, WWW.SPECIAL-LITE.COM

FLORIDA APPROVAL #:
27723.3

B.O.M.-1	
DATE	1/4/21
SCALE	N/A
DRAWN	A.E.
PROJECT	18-7808
DRAWING NO. SL-0001	
10 OF 11	

BILL OF MATERIALS

ITEM	PART #	MATERIAL	QTY.	DESCRIPTION	MANUFACTURER
40	SC-109	410SS	AS REQUIRED	12-11 X 1-1/2" PFHWS	SPECIAL-LITE
41	SC-25	410SS	AS REQUIRED	10-16 X $\frac{3}{4}$ " PHILLIPS TRUSS HEAD SCREW	SPECIAL-LITE
42	PT-12-0131	6063-T5	2	FRAME ANCHOR FOR 2" X 4-1/2" TUBE FRAME	SPECIAL-LITE
43	PT-12-2000	6063-T5	4	FRAME ANCHOR FOR 2" X 4-1/2" TB FRAME	SPECIAL-LITE
44	T-8	6063-T5	3	TUBE FRAME 2" X 4-1/2"	SPECIAL-LITE
45	T-9	6063-T5	1	TUBE FRAME 4-1/2" X 4-1/2"	SPECIAL-LITE
46	N/A	N/A	N/A	$\frac{1}{8}$ " CLEAR X 0.075" STORMGLASS INTERLAYER X $\frac{1}{8}$ " CLEAR	OLDCASTLE BUILDING ENVELOPE
47	70-802	6063-T5	AS REQUIRED	SECURELITE $\frac{1}{4}$ " GLASS KIT W/ 1" BITE	SPECIAL-LITE

REVISION

DATE

1	10/21/2020	2020 FBC Affirmation
2	1/4/2021	2020 FBC Affirmation
3	11/15/2023	2023 FBC Affirmation

SL-SERIES FRP/ ALUMINUM HYBRID IN-SWING/
OUT-SWING DOOR



860 S. WILLIAMS STREET, P.O. BOX 6 DECATUR, MI 49045, WWW.SPECIAL-LITE.COM

FLORIDA APPROVAL #:
27723.3

B.O.M.-2	
DATE	1/4/21
SCALE	N/A
DRAWN	A.E.
PROJECT	18-7808
DRAWING NO. SL-0001	
11 OF 11	

DESCRIPTION